



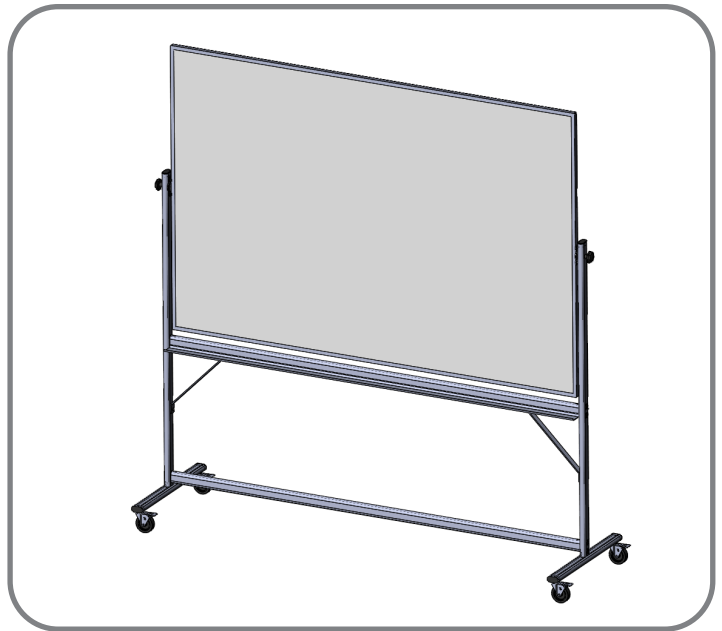
# Edison Series Flip Board

Tools required:

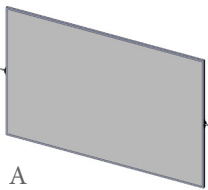
- Hex Key (Supplied)
- Phillips Screwdriver (4x6 & 4x8 only)



Two person assembly recommended



## Standard Parts:



A

Board



B

Upright  
x2



C

Tray



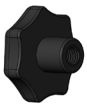
D

Crossbeam



E

Leg Assembly  
x2



F

Knob  
x2



G

Spring Washer  
x2



H

Socket Head Screw  
x12



I

Oval Cap  
x6



J

Round Cap  
x8

## Optional Parts:



K

Gusset  
x2



L

Pan Head Screw  
x4

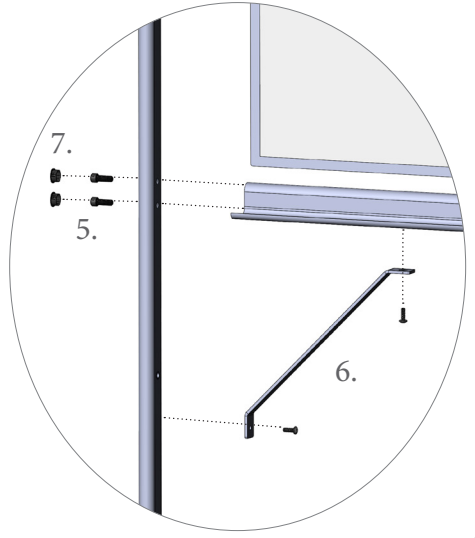
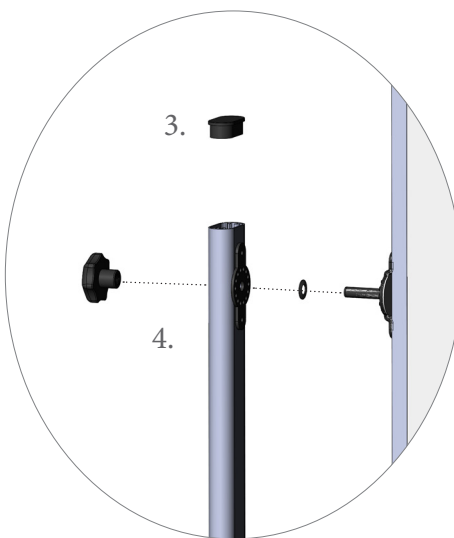
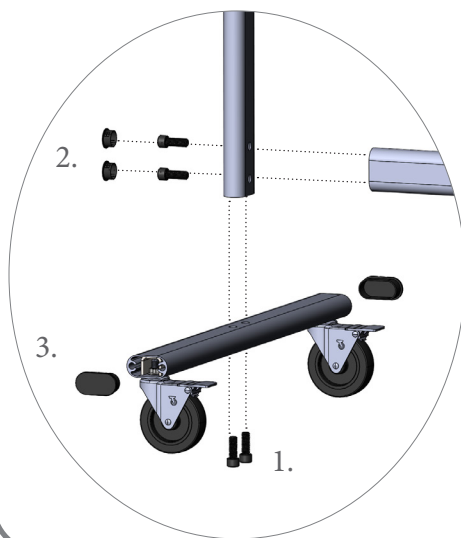
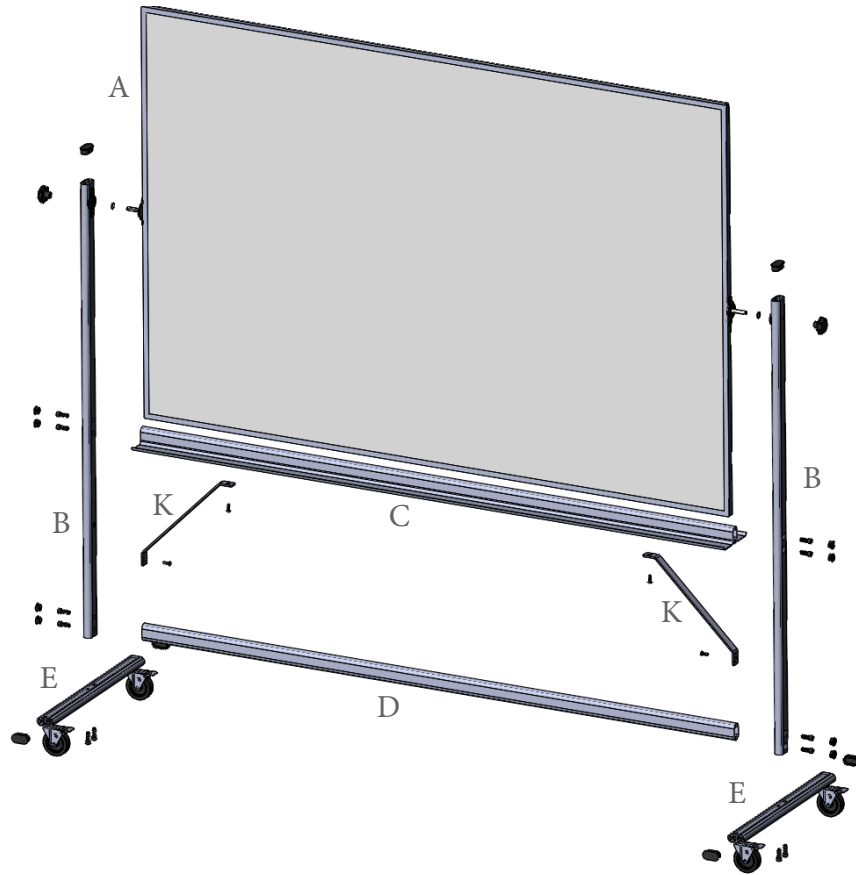
Gusset and Pan Head Screw used on 4x6 and 4x8 ft. boards only.

## Note:

After assembly, remove protective film from both sides of board.

Clean with a mild soap or glass cleaner.





1. Assemble Base(E) to Upright(B) using using Socket Head Screws(H). Tighten screws and repeat for opposite side.
2. Attach Crossbeam(D) to Base Assembly from Step 1 using Socket Head Screws(H).  
Locking plates on Uprights should face the center. Tighten screws and repeat on other side.
3. Install Oval Caps(I) into the Base and Uprights. Do not install Round Caps until complete.
4. Place Spring Washer(G) on Board(A) post(2x). Spread Uprights and slide board into top holes of Uprights so locking plates meet. Install Knobs(F) to secure board.
5. Attach Tray(C) to Base Assembly from Step 1 using Socket Head Screws(H). Tighten screws if gussets are not required.
6. If board is 4'x6' or 4'x8' install Gussets(K) using Pan Head Screws(L) on both sides. Tighten gusset and tray screws.
7. Verify all hardware is tight and install Round Caps(J) to cover all Socket Head Screws.

**WARNING:** Do not stand on or use as a step or climb.  
Before moving board verify casters are unlocked.  
Failure to follow warnings could cause injury.