

NOTE: RECOMMENDED MARKERBOARD MOUNTING HEIGHTS

- A) 2'4" FROM FLOOR FOR K-4th GRADE\*
  - B) 2'8" FROM FLOOR FOR 5th & 6th GRADE\*
  - C) 2'10" FROM FLOOR FOR 7th & 8th GRADE\*
  - D) 3'0" FROM FLOOR FOR HIGH SCHOOL\*
- \*(UNLESS OTHERWISE SPECIFIED BY ARCHITECT)

MARKERBOARD  
ELEVATION  
3/8" = 1'-0"

SIZE	BOARD MAKE-UP
1' x 1'	CONSISTS OF ONE 1' BOARD
1.5' x 2'	CONSISTS OF ONE 2' BOARD
2' x 2'	CONSISTS OF ONE 2' BOARD
2' x 3'	CONSISTS OF ONE 3' BOARD
2' x 4'	CONSISTS OF ONE 4' BOARD
3' x 4'	CONSISTS OF ONE 4' BOARD
4' x 4'	CONSISTS OF ONE 4' BOARD
4' x 5'	CONSISTS OF ONE 5' BOARD
4' x 6'	CONSISTS OF ONE 6' BOARD
4' x 8'	CONSISTS OF ONE 8' BOARD
4' x 10'	CONSISTS OF ONE 10' BOARD
4' x 12'	CONSISTS OF ONE 12' BOARD
4' x 16'	CONSISTS OF TWO 8' BOARDS WITH H-CHANNEL
4' x 20'	CONSISTS OF TWO 10' BOARDS WITH H-CHANNEL
4' x 24'	CONSISTS OF TWO 12' BOARDS WITH H-CHANNEL

BOARD CONSTRUCTION TYPE:

MAGNETIC

NON-MAGNETIC

CORK (TRAY NOT INCLUDED)

IMPORTANT NOTICE

FIELD VERIFY ALL DIMENSIONS AND LOCATIONS PRIOR TO MANUFACTURING

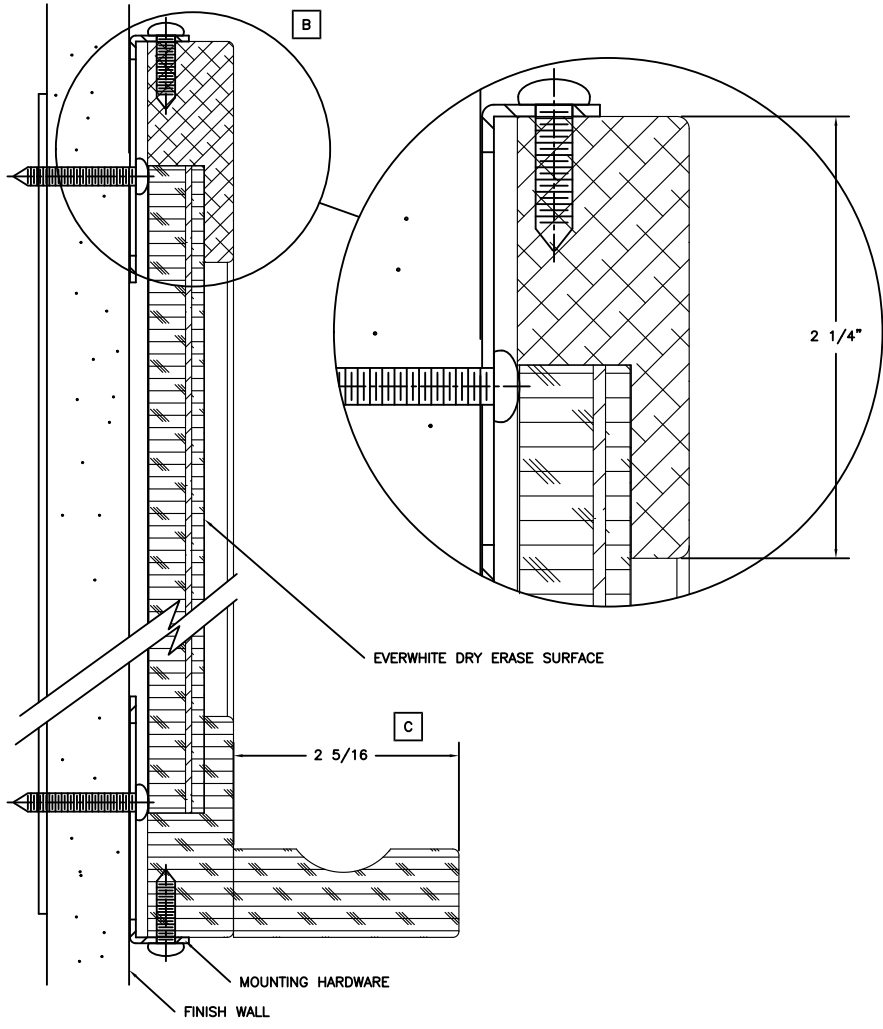
QTY	SIZE	TYPE	LOCATION	ADDITIONAL COMMENTS

BOARD SCHEDULE

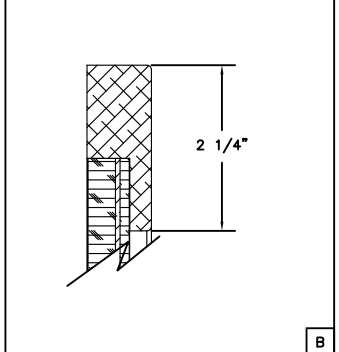
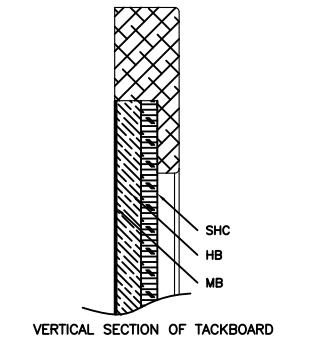
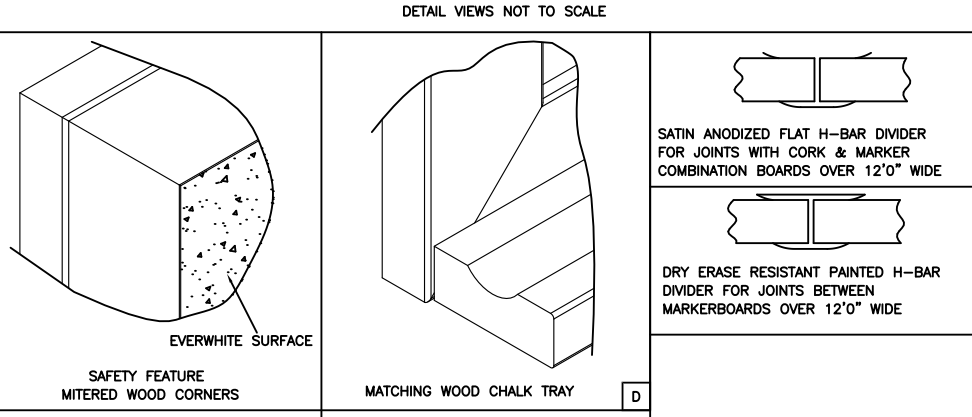


1480 INDEPENDENCE AVENUE  
HARTFORD, WI 53027  
PH (800) 335-7319  
FX (262) 250-7176

CUSTOMER SERVICE AND SUPPORT (800) 335-7319  
WWW.EVERWHITEBOARDS.COM  
MADE IN THE USA



VERTICAL SECTIONS



SATIN ANODIZED FLAT H-BAR DIVIDER  
FOR JOINTS WITH CORK & MARKER  
COMBINATION BOARDS OVER 12'0" WIDE

DRY ERASE RESISTANT PAINTED H-BAR  
DIVIDER FOR JOINTS BETWEEN  
MARKERBOARDS OVER 12'0" WIDE

QTY	PART NUMBER / DESCRIPTION	ADDITIONAL COMMENTS

ACCESSORIES SCHEDULE

**EVERWHITE COMBINATION BOARDS**  
 -STANDARD SIZES UP TO 4' X 12' WITH  
 VIRTUALLY UNLIMITED CUSTOM SIZES AVAILABLE  
 -AVAILABLE WITH SELF-HEALING CORK OR VINYL  
 IN MULTIPLE CONFIGURATIONS  
 -AVAILABLE WITH CUSTOM GRAPHICS  
 IN MULTIPLE CONFIGURATIONS  
**100% SOLID WOOD FRAME IN OAK OR MAPLE**  
 -STANDARD FINISH OPTIONS:  
 -OAK  
 -MAPLE  
 -STAINED CHERRY  
 -STAINED MAHOGANY  
 -PAINTED BLACK  
 -CUSTOM STAIN OPTIONS AVAILABLE UPON REQUEST

**EVERWHITE MARKERBOARD  
 FACE/CORE/BACKING**  
**MAGNETIC**  
 01 EWS / 24GS / 1/2" HEX / MB  
**NON-MAGNETIC**  
 02 EWS / 1/8" HB / 3/8" HEX / MB

EWS - EVERWHITE SURFACE  
 MB - MOISTURE BARRIER SHEET  
 HB - HARD BOARD  
 HEX - HEXACOMB  
 24GS - 24 GA. GALVANIZED STEEL

**CORK TACKBOARDS  
 FACE/CORE/BACKING**  
 01 1/4" SHC / 1/4" HB / MB

SHC - SELF-HEALING CORK  
 HB - HARD BOARD  
 MB - MOISTURE BARRIER SHEET

NOTE:  
 CORK BOARDS DO NOT INCLUDE TRAY



1480 INDEPENDENCE AVENUE  
 HARTFORD, WI 53027  
 PH (800) 335-7319  
 FX (262) 250-7176

CUSTOMER SERVICE AND  
 SUPPORT (800) 335-7319  
 WWW.EVERWHITEBOARDS.COM  
 MADE IN THE USA