

NOTE: RECOMMENDED MARKERBOARD MOUNTING HEIGHTS
 1) 2'4" FROM FLOOR FOR K-4th GRADE*
 2) 2'8" FROM FLOOR FOR 5th & 6th GRADE*
 3) 2'10" FROM FLOOR FOR 7th & 8th GRADE*
 4) 3'0" FROM FLOOR FOR HIGH SCHOOL*
 *(UNLESS OTHERWISE SPECIFIED BY ARCHITECT)

MARKERBOARD
 ELEVATION
 $\frac{3}{8}'' = 1'-0''$

BOARD CONSTRUCTION TYPE:
 MAGNETIC
 NON-MAGNETIC
 CORK (TRAY NOT INCLUDED)

WOOD FRAMED BOARD SIZES
 FOR NARROW (1 1/4") FRAME STYLE

SIZE	BOARD MAKE-UP
1.5' x 2'	CONSISTS OF ONE 2' BOARD
2' x 2'	CONSISTS OF ONE 2' BOARD
2' x 3'	CONSISTS OF ONE 3' BOARD
2' x 4'	CONSISTS OF ONE 4' BOARD
3' x 4'	CONSISTS OF ONE 4' BOARD
4' x 4'	CONSISTS OF ONE 4' BOARD
4' x 6'	CONSISTS OF ONE 6' BOARD

IMPORTANT NOTICE
 FIELD VERIFY ALL DIMENSIONS AND
 LOCATIONS PRIOR TO MANUFACTURING

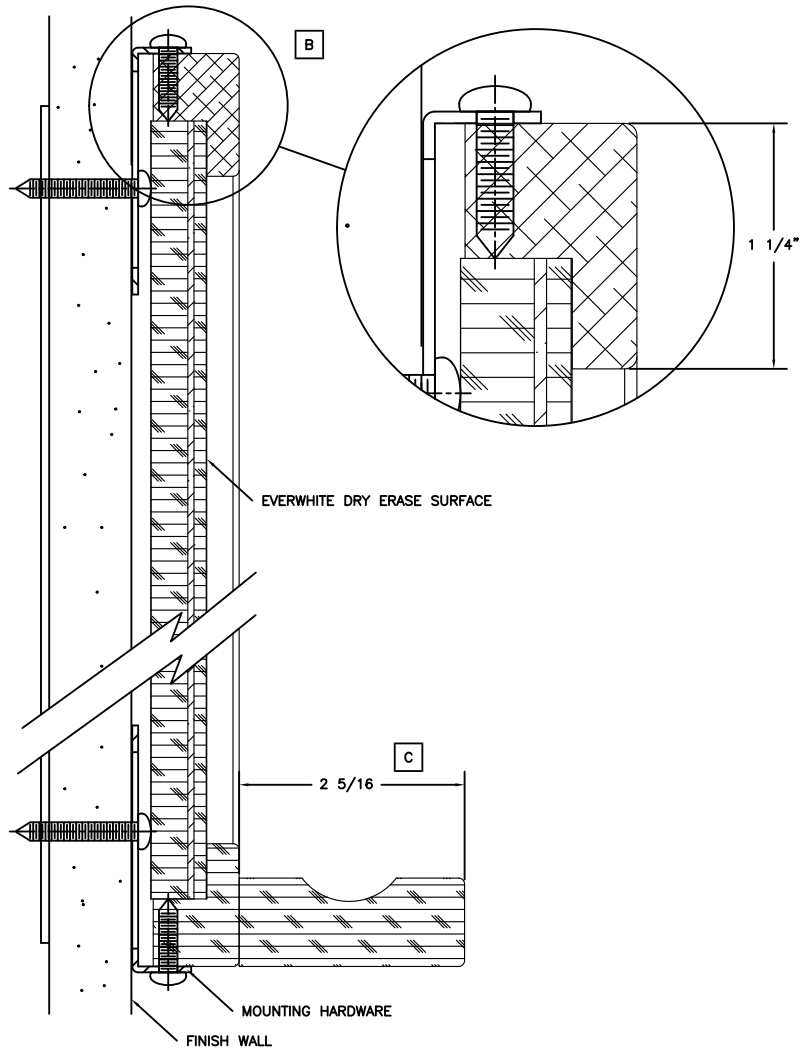
QTY	SIZE	TYPE	LOCATION	ADDITIONAL COMMENTS

BOARD SCHEDULE

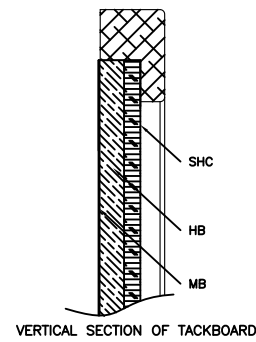
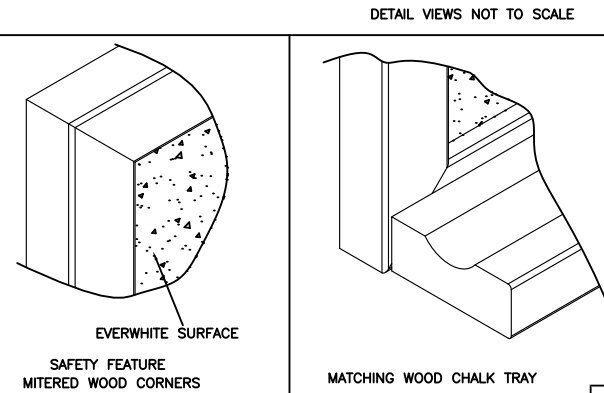


1480 INDEPENDENCE AVENUE
 HARTFORD, WI 53027
 PH (800) 335-7319
 FX (262) 250-7176

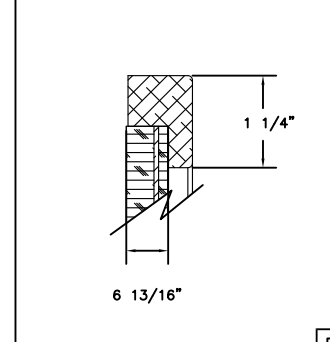
CUSTOMER SERVICE AND
 SUPPORT (800) 335-7319
 WWW.EVERWHITEBOARDS.COM
 MADE IN THE USA



VERTICAL SECTIONS



VERTICAL SECTION OF TACKBOARD



ACCESSORIES SCHEDULE

QTY	PART NUMBER / DESCRIPTION	ADDITIONAL COMMENTS

EVERWHITE COMBINATION BOARDS

- STANDARD SIZES UP TO 4' X 4' WITH VIRTUALLY UNLIMITED CUSTOM SIZES AVAILABLE
- AVAILABLE WITH SELF-HEALING CORK OR VINYL IN MULTIPLE CONFIGURATIONS
- AVAILABLE WITH CUSTOM GRAPHICS IN MULTIPLE CONFIGURATIONS

100% SOLID WOOD FRAME IN OAK OR MAPLE

- STANDARD FINISH OPTIONS:
 - OAK
 - MAPLE
 - STAINED CHERRY
 - STAINED MAHOGANY
 - PAINTED BLACK
- CUSTOM STAIN OPTIONS AVAILABLE UPON REQUEST

**EVERWHITE MARKERBOARD
FACE/CORE/BACKING**

MAGNETIC

01 EWS / 24GS / 1/2" HEX / MB

NON-MAGNETIC

02 EWS / 1/8" HB / 3/8" HEX / MB

- EWS - EVERWHITE SURFACE
- MB - MOISTURE BARRIER SHEET
- HB - HARD BOARD
- HEX - HEXACOMB
- 24GS - 24 GA. GALVANIZED STEEL

**CORK TACKBOARDS
FACE/CORE/BACKING**

01 1/4" SHC / 1/4" HB / MB

- SHC - SELF-HEALING CORK
- HB - HARD BOARD
- MB - MOISTURE BARRIER SHEET

NOTE:
CORK BOARDS DO NOT INCLUDE TRAY



1480 INDEPENDENCE AVENUE
HARTFORD, WI 53027
PH (800) 335-7319
FX (262) 250-7176

CUSTOMER SERVICE AND
SUPPORT (800) 335-7319
WWW.EVERWHITEBOARDS.COM
MADE IN THE USA